

PRIMO PAPER DISPENSER

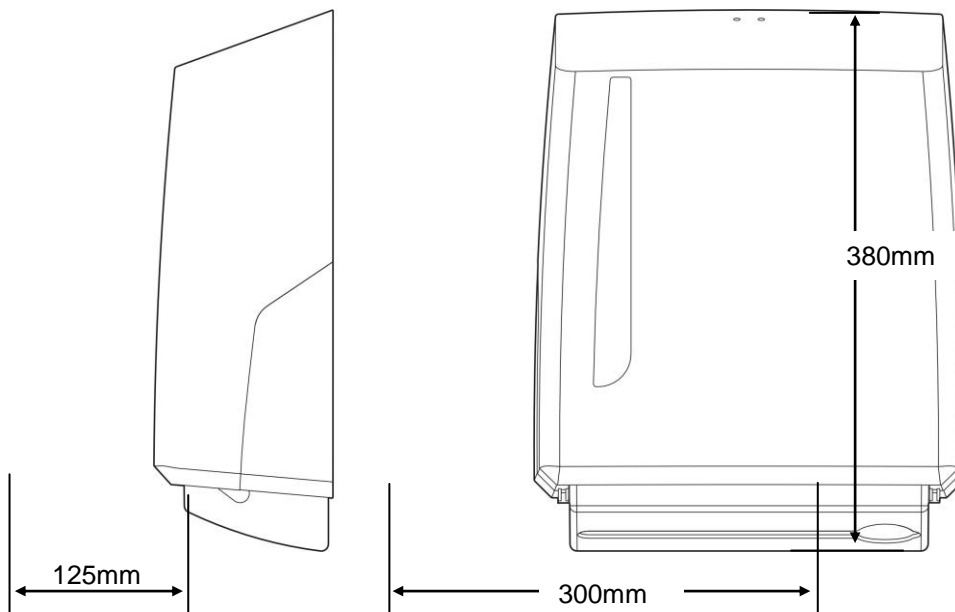
Code : HTDKP

PRODUCT SPECIFICATION SHEET

DESCRIPTION

- Accepts paper with maximum dimensions: 245mm x 90mm
- Clear paper tray and window shows the quantity of paper in the dispenser.
- The dispenser can be fixed to walls using the 3 wall fixings provided, or stuck onto tiled surfaces using the 2 self adhesive pads on the backplate. When using self adhesive pads ensure the tiled surface is clean, dry and free from grease before sticking.
- Cover opens using standard key provided and snaps shut.

DIMENSIONS



MATERIALS

Constructed from High Impact Styrene and other engineering thermoplastics. Dispenser can be recycled or disposed of in accordance with local regulations.

PACKING

Individual units packed in polybags and outer cardboard sleeve.

Individual weight: 1.5Kg

4 units packed into carton: 590mm x 400mm x 330mm

Total weight: 7.0Kg



PSS (TSD PRI UNP) Aug 2002